

## Electrical and Acoustical Parameter

Rated voltage (V)*	3.0
Operating voltage (V)	3.0 – 8.0
Current Consumption (mA) *	max. 50.0
Coil Resistance (Ω)	45+/-5
Sound pressure level (dBA/10cm) *	min. 90
Resonance Frequency	2048

Remark: \*Applying rated voltage (Resonant frequency, Square wave)

## Mechanical, Enviromental Parameter

Contact / Wire	Pin
Operating temperature (°C)	-20 to +70
Storage temperature (°C)	-30 to +75
Material housing	PPO
Color housing	Black
Component weight (g)	4.6+/-0.3

Remark:

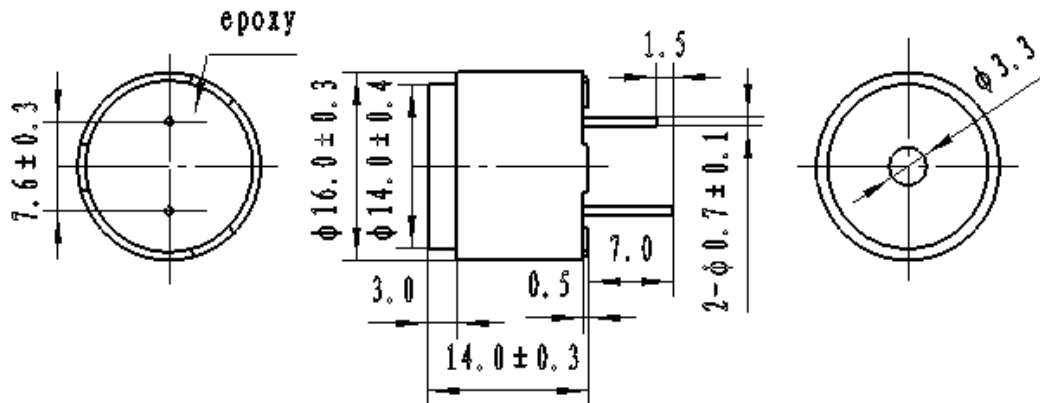
## Approval

RoHs	<input checked="" type="checkbox"/>
UL	<input type="checkbox"/>

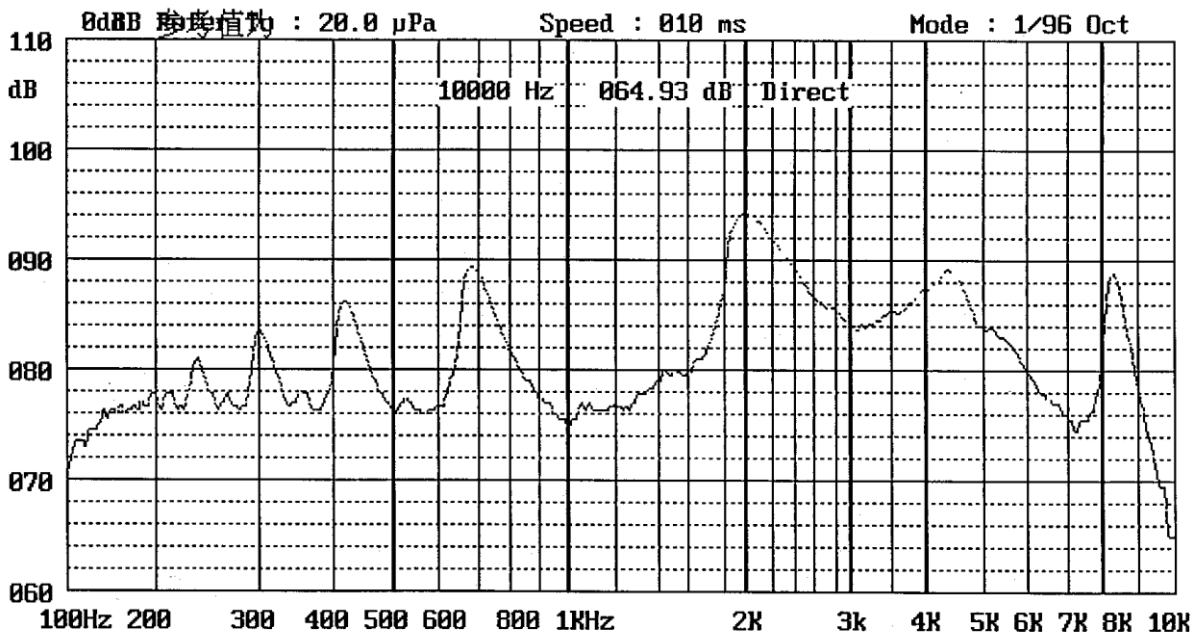
Designed by	MZ	19.02.2013	Dimensions without tolerance ±0.5mm	Index: 00	Current date
Released by	CB	19.02.2013	Drawing number	<b>130219.1BDB</b>	19.02.2013
Changed by					Page 1 of 4

## Drawing of Component

Unit:mm

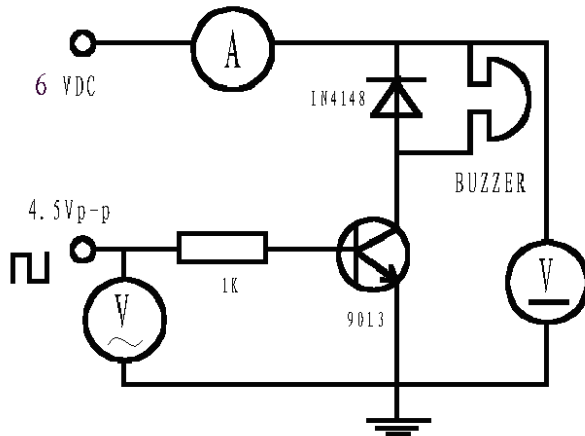


## Frequency Response

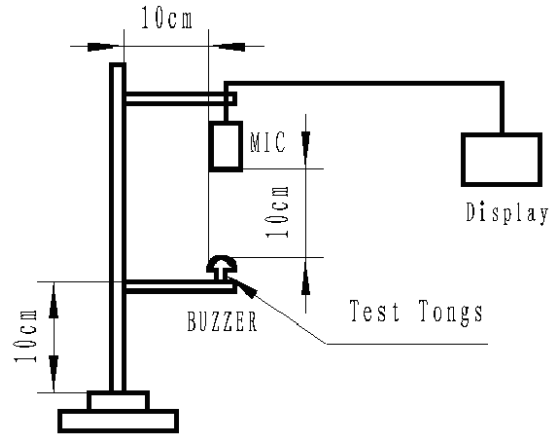


Designed by	MZ	19.02.2013	Dimensions without tolerance $\pm 0.5$ mm	Index: oo	Current date
Released by	CB	19.02.2013	Drawing number	<b>130219.1BDB</b>	19.02.2013
Changed by					Page 2 of 4

## Test Method



Test Circuit



Test Equipis

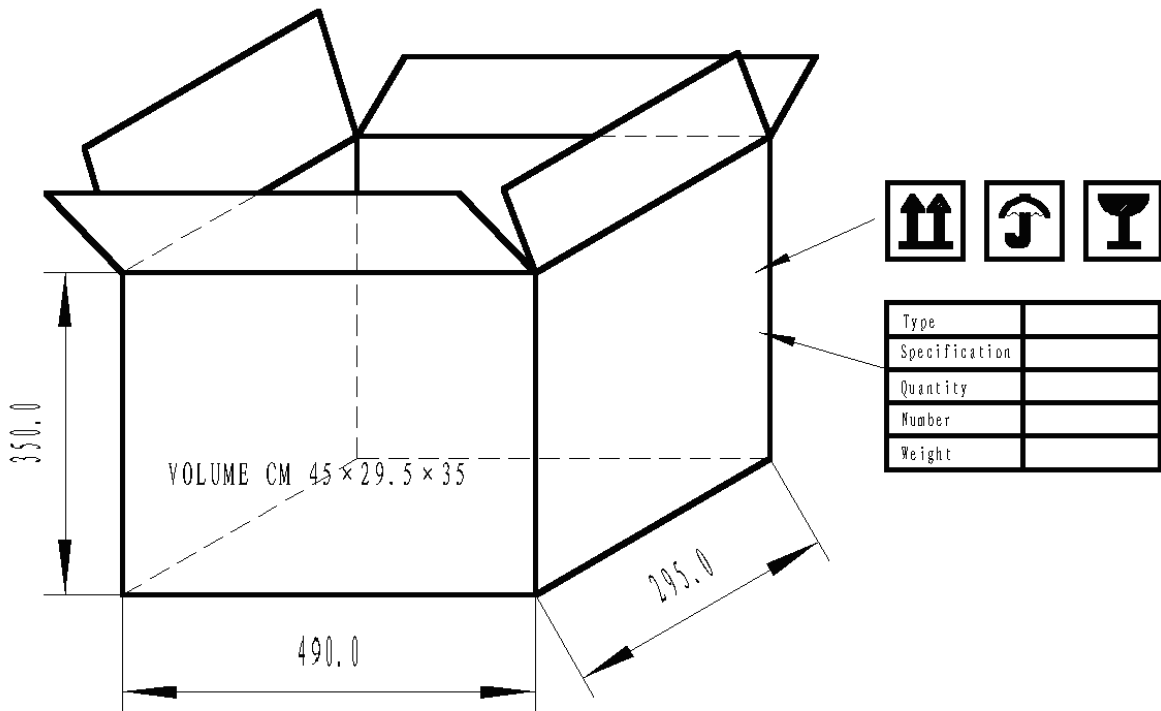
## Reliability Test

NO.	ITEM	TESTING CONDITION	VARIANCE AFTER TEST
1	Humidity	40±2°C, 93(+2/-3)%RH, 96HRS	All specifications must be satisfied after the test.
2	High temp.	+75±2°C, 96HRS	
3	Low temp.	-30±2°C, 96HRS	
4	Temperature Cycling	-30±2°C, 30minutes room temp. 15 minutes +75±2°C, 30 minutes room temp. 15 minutes 5 cycles	
5	Drop test	3 times from height of 70cm onto the surface of 10mm thick wooden board.	
6	Vibration test	Make the test for the directions of X Y and Z (total 0.5 hours). To-and-fro. sweep time (from 10 to 55 Hz and then from 55 to 10Hz ) under single amplitude of 1.0mm is 1 minute.	

7	Solder heat resistance	The part leads (pins) shall be immersed in molten solder maintained at 250±10°C for a period of 30 seconds.	After the test part shall meet specifications without any degradation in appearance and performance.
---	------------------------	---	--

Can be used for wave soldering.

## Packaging Information



### NOTES:

- 1.50 PCS per box
- 2.Total 40 boxes per carton
- 3.Total 2000 PCS carton
- 4.Volume:49x29.5x35cm

## Revision Table

Index Nr.	Date Reason - Procedure Change description	Drawing Date	implementation	Comments
			LS-Nr.: Date	

Designed by	MZ	19.02.2013	Dimensions without tolerance ±0.5mm	Index: oo	Current date
Released by	CB	19.02.2013	Drawing number	<b>130219.1BDB</b>	19.02.2013
Changed by					Page 4 of 4